

**ECO EARTH
PACK CO., LTD**
臻和协包装

COMPANY PROFILE
企业简介



中国·湖北
臻和协包装有限公司

COMPANY INFORMATION



Hubei Eco Earth Pack is a trade and export company under Xintuohang Group Co., Ltd , located in Hubei China, founded in 2014. Our company has committed to protecting the environment, the research and development of green packaging since its establishment. We have a professional R&D team. scientific management system to provide with high quality environmental protection packaging products and services. Our Main products are paper bowl, paper cup, paper box, biodegradable cutlery, sugarcane food containers, baking paper packaging etc. Our packaged food products are resisting water and oil proofing and pass the test FDA, FSC, REACH, SGS. In the course of Hubei Ecoearth Pack Co., Ltd 's development. We always advocate the business philosophy of working together with customers and developing harmoniously with the society. Continuously introduce of foreign advanced production technology, strengthen internal management, improve product quality, optimize after-sales service. We strive to create a new concept in the application of environmental protection packaging materials.



Single Wall Paper Cup/Cold Drink Paper Cup

Professional customization to meet your diverse customization needs.

Suit for cold drink and ice cream, leak-proof.

SIZE	Top dia (mm)	Bottom (mm)	Height (mm)	Volum	Carton Size(mm)	Pack
2.5oz	50	35	50	60ml	410*260*350	2000
2.5oz	50	35	50	60ml	520*420*350	4000
6.5oz	70	52	75	200ml	570*355*350	2000
6.5oz	70	52	75	200ml	600*360*415	1000
8.8oz	76	53	86	250ml	600*380*370	2000/1000
8oz	80	56	94	300ml	410*330*440	1000
10oz	90	61	97	360ml	445*355*425	1000
9.5oz	76	53	91	250ml	600*380*380	2000
9.5oz	76	53	91	250ml	390*310*380	1000
12oz	80	53	106	320ml	630*405*370	2000
12oz	80	53	110	330ml	630*405*390	2000
12oz	80	53	114	330ml	410*330*550	1000
13oz	83	55	125	350ml	410*330*550	1000
14oz	87	59	109	410ml	450*450*440	1000
14oz	89	59	109	410ml	450*450*450	1000
14oz	90	60	112	410ml	435*435*390	1000
14oz	90	60	113	410ml	450*365*505	1000
14oz	90	55	117	400ml	450*450*430	1000
15oz	89	61	124	500ml	455*365*520	1000
16oz	89	59	133	500ml	450*365*500	1000
16oz	90	60	135	500ml	450*365*550	1000
16oz	90	60	138	500ml	450*450*585	1000
22oz	89	58	160	600ml	450*450*585	1000
22oz	90	58	170	640ml	450*365*655	1000
K-high 32oz	104	70	176	500ml	520*210*585	500
K-170high 46oz	121	88	170	500ml	605*245*575	500



Shown: Single Wall Paper Cup Kraft

Single layer cup



Shown: Cold Drink Paper Cup White

Hollow Wall Paper Cup

Thickened hollow double layer, double the insulation effect, easy to use. Environmentally friendly ink printing on the outside, free to customise and design for brand promotion.



SIZE	Product Size(cm)	Volum	Carton Size(mm)	Pack
8oz Hollow paper	80*56*94	300ml	405*405*425	500
10oz Hollow paper	90*61*97	360ml	450*360*515	500
14oz Hollow paper	90*60*113	410ml	450*450*425	500
16oz Hollow paper	90*60*135	500ml	570*440*450	500
22oz Hollow paper	90*58*170	640ml	450*450*585	500



Ripple Wall Paper Cup

The double layer is heat resistant and suitable for hot coffee, hot milk and other drinks. The outer corrugated layer keeps the coffee hot and does won't your hands.



SIZE	Product Size(cm)	Volum	Carton Size(mm)	Pack
8oz Corrugated	80*56*94	300ml	450*450*800	500
10oz Corrugated	90*61*97	360ml	520*390*330	500
14oz Corrugated	90*60*113	410ml	490*440*370	500
16oz Corrugated	90*60*135	500ml	500*430*450	500
22oz Corrugated	90*58*170	640ml	450*450*800	500



Shown: Hollow Wall Paper Cup White



Shown: Ripple Wall Paper Cup

Paper Cup Lid

A variety of lid materials to choose, suitable for all sizes of paper cups. Tightly fastened paper cups for easy leaks in takeaway packing.



Shown: Ripple Wall Paper Cup Material: PP



MateriaPS
EECL20005
8 / 12 / 16 oz



MateriaPLA
EECL20006
8 / 12 / 16 oz



MateriaPP
EECL20007
8 / 12 / 16 oz

Wooden Coffee Stirrer

The ingredients are environmentally safe and help you mix your drinks better.




Wood

EECS62001
11 x 5 x 1 cm
14 x 5 x 1 cm
17.6 x 5.5 x 1.25 cm
19 x 5 x 1.3 cm

Paper Cup Holder

Thicker and more stable for a smoother cup, suitable for all kinds of paper cups for takeaway drinks. Strong load-bearing, squeeze-resistant, not easy to spill and break.

 Customizable in various sizes and papers



EEIC10567
10 x 10 x 3.5 cm
600 pcs / ctn



EEPCCP20001
22 x 11 x 5 cm
19.4 x 11 x 4.5 cm
600 pcs / ctn



EEPCCP20004
17 x 11 x 3.5 cm
400 pcs / ctn



EEPCCP20002
22.5 x 22.5 x 5 cm
300 pcs / ctn



SEPARABLE
EEPCCP20005
21.5 x 17 x 3.5 cm
300 pcs / ctn



SEPARABLE
EEPCCP20003
23 x 18.5 x 4.5 cm
300 pcs / ctn

The following corrugated cup holders can be customized in size.
The following customized sizes of pulp cup holders require mold opening.

Paper Cup Sleeve

Heat insulation and anti-scalding, comfortable to the touch.



Corrugated / Cardboard

EECS2001
1000 pcs / ctn
53 x 34 x 20 cm
8 / 12 / 16 oz



POPCORN BUTKET



SIZE	Top dia (mm)	Bottom (mm)	Height (mm)	Carton Size(mm)	Pack
28oz	110	88	107	560*445*410	500
32oz	114	88	138	470*300 580*235	500
32oz	114	88	138	580*235*450	500
K-high 32oz	104	70	176	520*210*585	500
K-170high 46oz	121	88	170	605*245*575	500
46oz	122	88	176	605*245*580	500
54oz	125	85	210	490*245*420	200
70oz	175	145	141	530*355*365	150
80oz	186	145	147	540*360*390	500
85oz	179	145	161	540*360*390	150
130oz	185	145	198	560*375*455	150



FRENCH FRIES CUP



SIZE	Top dia (mm)	Bottom (mm)	Height (mm)	Carton Size(mm)	Pack
12oz	69	54	114	370*295*425	1000
14oz	70	60	119	410*325*525	1000
16oz	87	59	140	410*330*530	1000



TAKE AWAY PAPER BOWL

SIZE	Top dia (mm)	Bottom (mm)	Height (mm)	Volum	Carton Size(mm)	Pack
No.6	99	80	52	210	500*400*325	1000
Small	103	85	57	330	520*420*360	1000
Small	103	85	57	330	320*320*225	270
No.1	124	95	90	750	380*380*430	450
No.1	124	95	90	750	505*380*430	600
No.2	115	93	77	570	350*350*385	450
No.2	115	93	77	570	350*350*375	450
No.3	118	93	68	530	365*365*385	450
No.4	110	93	55	380	450*340*340	600
No.4	110	93	55	380	550*450*370	1000
No.4 ZMZ	111	93	59	400	550*365*650	1000
820	125	95	93	820	51.5*39*42	600
New850	130	104	81	750	655*525*430	1000
850	135	110	75	730	675*540*440	1000
H68	128	104	69	550	515*390*420	600
H85	110	90	85	510	560*450*510	1000
H86	120	96	78	570	600*480*540	1000
H95	129	98	95	740	515*390*445	600
998	136	105	102	1000	548*413*470	600
960	134	100	101	960	675*540*490	1000
960	134	100	101	960	548*413*465	600
H100	130	99	100	900	405*445*530	600
A big	135	105	101	950	548*413*465	600
H114	134	101	115	1050	545*405*650	600
Colorful	118	98	62	460	595*475*425	1000



SUSHI PACKAGING BOX

SIZE	Material	Lid weight (g ± 5%)	Top dia (mm)	Bottom (mm)	Height (mm)	Packing	Carton Size(cm)
1100T	Kraft paper 280gsmwith double PE		140*80	115*55	24	800	57.5*27*33.5
1100L	PET	5.6			31.5	800	58.5*35.5*34.5
1101T	Kraft paper 280gsmwith double PE		160*91	135*67	24	800	65.5*25.5*38
1101L	PET	7.2			31.5	800	66.5*34*38.5
1102T	Kraft paper 280gsmwith double PE		221*91	198*68	24	600	68.0*25.5*38
1102L	PET	10.83			31.5	600	57.5*34.5*46
1103T	Kraft paper 280gsmwith double PE		165*115	140*90	24	600	67.5*25.5*36
1103L	PET	8.9			31.5	600	71.5*34.5*35
1105T	Kraft paper 280gsmwith double PE		185*129	160*105	24	600	57*25.5*53
1105L	PET	11			31.5	600	54.5*31.5*58.5
1107T	Kraft paper 280gsmwith double PE		221*138	197*114	24	400	57*25.5*46
1107L	PET	14.3			31.5	400	57.5*28.5*46
1109T	Kraft paper 280gsmwith double PE		241*152	216*128	24	400	62.5*26*50
1109L	PET	18.37			31.5	400	63*28.5*50
1111T	Kraft paper 280gsmwith double PE		256*182	230*158	24	200	53*26*38
1111L	PET	23.5			31.5	200	53*28.5*38.5



ICE CREAM CUP

SIZE	Top dia (mm)	Bottom (mm)	Height (mm)	Volum(ml)	Carton Size(mm)	Pack
2.8	70.5	57	41	100	36*29*41	1000
3oz	74	62	41	110	37*29.5*37.5	1000
5oz	69	52	69	170	56*20*50	1000
260K	95	70	73	340	48*48*51	1000
705 bowl	84	69	55	200	43*34*44.5	1000
800 bowl	95	78	71	330	49*39*55	1000
5A	75	60	55	145	38.5*30.5*49	1000
6A	90	74	43	150	45*36*47.5	1000
7A	90	74	51	200	45*36.5*47.5	1000
8A	90	72	62	255	45*36.5*47.5	1000
900 bowl	89	68	82	330	46*37*44.5	1000
Small bowl	103	85	57	330	51*41*35.5	1000

Paper Soup Cup

The soup cups have a built-in waterproof laminate, which is water resistant and leak-proof, can pack with food directly. The bottom is tightly indented to prevent leaks and scalding.

Capacity	Item No.	Material (gsm)	Product Size(cm)	Pack (pcs/ctn)	Carton Size (cm)
8 oz	EEPSC09071	337g	9 x 7.2 x 6.2	500	47 x 19 x 61
8 oz	EEPSB09072	337g	9 x 8.1 x 6	500	50 x 21 x 45
12 oz	EEPSC09086	337g	9 x 7.3 x 8.6	500	47 x 19 x 64
12 oz	EEPSB09860	337g	9.8 x 8.1 x 7	500	50 x 21 x 50
16 oz	EEPSB09073	337g	9.8 x 7.5 x 9.9	500	50 x 21 x 59
16 oz	EEPSC11572	337g	11.5 x 9.8 x 7.2	500	60 x 25 x 59
26 oz	EEPSC11598	337g	11.8 x 9.6 x 10.8	500	60 x 25 x 64.5
32 oz	EEPSC11896	337g	11.8 x 9.3 x 13.1	500	62 x 26 x 75



Paper Soup Cup Lid

Thickened kraft paper material, high temperature resistance and no deformation. Breathable hole design effectively prevents heat from expanding in the cup.

Item No.	Material (gsm)	Product Size(cm)	Pack (pcs/ctn)	Carton Size (cm)
EEPSB09072	337g	Φ9	500	60 x 21 x 50
EEPSB09860	337g	Φ9.8	500	65 x 22 x 54
EEPSC11503	337g	Φ11.5	500	64 x 25 x 61
EEPSB09870	337g	Φ11.8	500	67 x 26 x 63



Paper Soup Cup Lid



PP Soup Cup Lid

Safe and practical, tight and strong.

Item No.	Type	Product Size(cm)	Pack (pcs/ctn)	Carton Size (cm)
EESCL09001	Ear style / Thickening	Φ9	500	39 x 29 x 25
EESCL09802	Ear style / Thickening	Φ9.8	500	29 x 22 x 52
EESCL11503	Ear style	Φ11.5	500	60 x 23 x 24.5
EESCL11804	Ear style / Thickening	Φ11.8	500	61 x 31 x 25



PP Soup Cup Lid



Ear style



Thickening

Paper Salad Bowl

The stereo image on the right can help you better understand our product.



Rectangular Paper Salad Bowl

Durable and sturdy, with high stiffness, can be stacked in multiple layers.

Item No.	Capacity	Top(cm)	Bottom(cm)	Pack (pcs/ctn)	Carton Size (cm)
EEPSB40006	500 ml	17 x12 x 4.1	15.4 x10.2 x 4.1	300	52*25.5*46
EEPSB40007	650 ml	17 x12 x 5.1	15 x 9.8 x 5.1	300	52*25.5*47
EEPSB40008	700 ml	17 x12 x 5.6	15 x 9.8 x 5.6	300	52*25.5*48
EEPSB40009	1000 ml	17 x12 x 7.5	14.6 x 9.5 x 7.5	300	52*25.5*50

Item No.	Material	Product Size(cm)	Pack (pcs/ctn)	Carton Size (cm)
EEPSBL40010	Paper	17.2 x 12	300	53.5 x 51.5 x 40
EEPSBL40011	PP	17.2 x 12	300	35.5 x 33.5 x 39.5
EEPSBL40012	PET	17.2 x 12	300	36 x 36.5 x 39



Round Paper Salad Bowl

The bottom of the bowl is treated with tight indentation to lock in moisture and prevent leakage.

Item No.	Capacity	Top dia (mm)	Bottom (mm)	Height (mm)	Pack (pcs/ctn)	Carton Size (cm)
HH-500	500 ml	148	128	45	600	60*45.5*44.5
HH-750	750 ml	148	128	62	600	59.5*45*53
HH-1000	950 ml	148	128	77	600	59.5*45*55
HH-1100	1000 ml	164	144	66	600	65.5*49*59.5
HH-1300	1200 ml	164	144	76	600	65.5*49.5*60
HH-1400	1000 ml	180	160	50	300	54*36*62.5
HH-1500	1300 ml	182	161	66	300	55*36.5*65

Item No.	Material	Product Size(cm)	Pack (pcs/ctn)	Carton Size (cm)
EEPSBL40001	PET	Φ15	300	48 x 16.5 x 35
EEPSBL40015	PP	Φ15	300	48 x 16.5 x 35
EEPSBL40002	PET	Φ16.5	300	50 x 18 x 35
EEPSBL40016	PP	Φ16.5	300	50 x 18 x 35
EEPSBL40003	PET	Φ18.5	300	52 x 20 x 35
EEPSBL40017	PP	Φ18.5	300	52 x 20 x 35



Square Paper Salad Bowl

There is a waterproof coating inside, which is waterproof, oil proof, and leak proof, making it better for storing food.

Item No.	Capacity	Top(cm)	Bottom(cm)	Pack (pcs/ctn)	Carton Size (cm)
EEPSB42047	500 ml	13 x13 x 4.7	11.2 x11.2 x 4.7	300	40 X 27.5 X 45
EEPSB42060	650 ml	13 x13 x 6	11 x 11 x 6	300	40 x 27.5 x 46.5
EEPSB42050	980 ml	17.5 x17.5 x 5	15.3 x 15.3 x 5	300	53.5 x 36 x 47
EEPSB42065	1320 ml	17.5 x17.5 x 6.5	14.9 x 14.9 x 5	300	53.5 x 36 x 48

Item No.	Material	Product Size(cm)	Pack (pcs/ctn)	Carton Size (cm)
EEPSBL22004	PP	13 x 13	300	41.5 X 28 X 32.5
EEPSBL22003	PET	13 x 13	300	41.5 x 28 x 32.5
EEPSBL22002	PP	17.5 x 17.5	300	55 x 37 x 32.5
EEPSBL22001	PET	17.5 x17.5	300	55 x 37 x 32.5

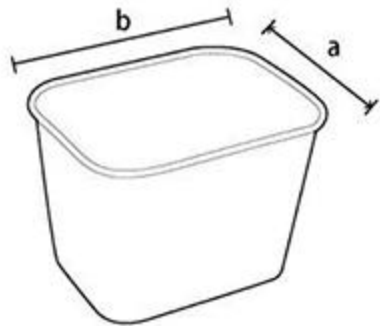


Roasted Chicken Bucket

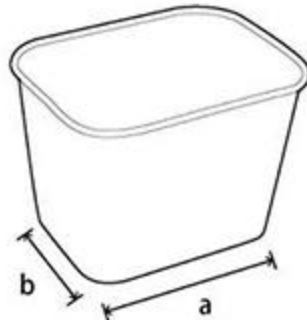
Multiple bucket types, support customization, can print patterns and logos, food grade paper, can pack with food directly. Oil and water resistant, with thick material.

Product Sizes

The size of the roasted chicken bucket is divided into top and bottom size. I hope the following pictures can help you better understand our products.




Top



Bottom

Item No.	Capacity	Top Size (cm)	Bottom Size (cm)
EERC821160	3400 ml	16 x 21	11.9 x 16.9
EERC821180	3300 ml	18 x 18	13.9 x 13.9



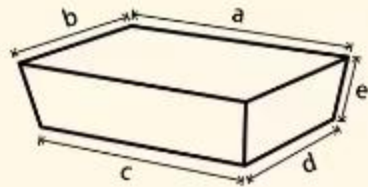
 Customizable in various sizes and papers



Kraft Paper Box

Product Sizes

The size of the paper lunch box is divided into upper size, lower size and height data, we hope the three-dimensional diagram on the right can help you better understand our products.



Kraft Paper Box With Window

Unique visual window design, high transparency, food is clearly visible.

Capacity	Item No.	Top Size(cm)	Bottom Size(cm)	Height (cm)	Pack (pcs/ctn)	Carton Size (cm)
500 ml	EEFBL15039	15 x 10	13.5 x 8.5	3.9	200	40 x 34 x 25
700 ml	EEFBL16845	16.8 x 11.8	15 x 10	4.5	200	41 x 30 x 40
900 ml	EEFBL16848	16.8 x 13.4	15 x 11.5	4.8	200	41 x 32.5 x 40
1200 ml	EEFBL19950	19.9 x 13.9	18 x 12	5	200	45.5 x 34.5 x 46
1600 ml	EEFBL21160	21.1 x 15.3	18.8 x 13	6	200	42 x 36.5 x 48.5
2100 ml	EEFBL21865	21.8 x 16.4	19.5 x 14	6.5	200	49 x 39 x 44



Kraft Paper Takeaway Box

Single-sided flip-top design for better holding and picking up food.

Capacity	Item No.	Top Size(cm)	Bottom Size(cm)	Height (cm)	Pack (pcs/ctn)	Carton Size (cm)
500 ml	EEFBL15039	15 x 10	13.5 x 8.5	3.9	200	40 x 34 x 25
700 ml	EEFBL16845	16.8 x 11.8	15 x 10	4.5	200	41 x 30 x 40
900 ml	EEFBL16848	16.8 x 13.4	15 x 11.5	4.8	200	41 x 32.5 x 40
1200 ml	EEFBL19950	19.9 x 13.9	18 x 12	5	200	45.5 x 34.5 x 46
1600 ml	EEFBL21160	21.1 x 15.3	18.8 x 13	6	200	42 x 36.5 x 48.5
2100 ml	EEFBL21865	21.8 x 16.4	19.5 x 14	6.5	200	49 x 39 x 44



Kraft Paper Lunch Box

Kraft Paper Lunch Box

Snap-top packing box with strong clasps and good sealing to prevent food spillage.

Capacity	Item No.	Top Size(cm)	Bottom Size(cm)	Height (cm)	Pack (pcs/ctn)	Carton Size (cm)
750 ml	EEFB10495	16 x 13	15.2 x 12	3.8	200	47 x 30 x 35.5
800 ml	EEFB10487	12.8 x 10.5	11.3 x 9	6.4	200	56 x 28 x 30.5
1080 ml	EEFB10492	16.3 x 13.2	15 x 12	4.9	200	49.5 x 33.5 x 37
1100 ml	EEFB10491	12.5 x 11.8	11 x 10.4	9	200	76 x 28 x 32
1400 ml	EEFB10493	16.8 x 13.5	15.3 x 12	6.3	200	54 x 34 x 36.5
1480 ml	EEFB10488	21.5 x 15.8	19.6 x 14	4.8	200	44 x 39.5 x 47
2000 ml	EEFB10490	21.3 x 16	19.6 x 14	6.4	200	43 x 38.5 x 46



Double Compartment Kraft Paper Lunch Box

Capacity	Item No.	Top Size(cm)	Bottom Size(cm)	Height (cm)	Pack (pcs/ctn)	Carton Size (cm)
950 ml	EEFB45001	16.8 x 13.5	11.8x6.7 / 11.8x6.7	5	200	42 x 32 x 41
1200 ml	EEFB42001	17.8 x 13.7	12 x 7 / 12 x 6	6.4	200	45 x 32 x 45.5
1270 ml	EEFB43001	21.3 x 15.5	13.5 x 11 / 13.5 x 7	4.6	200	51 x 36 x 40.5





Square Sushi Box

It has variety of specifications and fully transparent top cover, so that the food can be displayed more clearly. The four-corner buckle design prevents the cover from falling off. Made with a high-resistant material that can be used in the microwave without any problem.

Capacity	Item No.	Top Size(cm)	Bottom Size(cm)	Height Size(cm)	Pack (pcs/ctn)	Carton Size (cm)
300 ml	EEBL20300	12.4 x 12.4	9 x 9	3.5	300	39 x 26 x 39.5
400 ml	EEBL20400	14.1 x 14.1	10.3 x 10.3	3.5	300	45 x 30 x 28
500 ml	EEBL20500	14.1 x 14.1	9.9 x 9.9	4.2	300	45 x 30 x 28
650 ml	EEBL20650	15.2 x 15.2	11 x 11	4.5	300	48 x 32 x 30
750 ml	EEBL20750	15.2 x 15.2	10.6 x 10.6	5.4	300	48 x 32 x 31
1000 ml	EEBL201000	17.8 x 17.8	13.3 x 13.3	5	300	56 x 37.5 x 33
1200 ml	EEBL201200	17.8 x 17.8	12.7 x 12.7	6	300	56 x 37.5 x 35

Item No.	Top Size(cm)	Bottom Size(cm)	Height Size(cm)	Pack (pcs/ctn)	Carton Size (cm)
EEPP22001	24.8 x 17.4	19.8 x 12.4	2.2	600	52 x 37 x 25
EEPP22002	20.3 x 16.3	15.6 x 11.6	2.2	600	42.5 x 34.5 x 25
EEPP22003	20.9 x 13.9	15.5 x 8.5	4.3	600	44 x 30 x 35
EEPP22004	17 x 14.8	12.5 x 10.2	2.4	600	36.5 x 32 x 26
EEPP22005	17 x 12.2	13.7 x 8.9	1.6	1200	40 x 36 x 33.5
EEPP22006	20.5 x 14.1	14.9 x 8.5	2.4	600	43 x 31 x 24.5

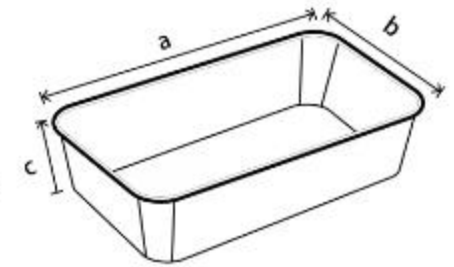


A new lunch box deeper design to hold better the food.



Product Sizes

The dimensions of the sushi box are based on the length, width and height data. We hope the three-dimensional diagrams on the right can help you better understand our products.



Flat Bottom Lunch Box

The bottom is surrounded by increased gravity, and it is strong, durable and not easy to break.

Capacity	Item No.	Product Size(cm)	Pack (pcs/ctn)	Carton Size (cm)
500 ml	EESMB20500	17 x 11.7 x 3.7	300	39 x 42 x 30
650 ml	EESMB20650	17 x 11.7 x 4.85	300	39 x 42 x 31
750 ml	EESMB20750	17 x 11.7 x 5.7	300	39 x 42 x 32
920 ml	EESMB20920	17 x 11.7 x 7.1	300	39 x 42 x 33
1000 ml	EESMB201000	17 x 17 x 3.7	300	/



Paper Lunch Box

This product is made with tighter, stronger and more durable paper.

Item No.	Product Size(cm)	Carton Size (cm)
EESMB19920	21.4 x 15.3 x 4.5	300
EESMB19750	22 x 16.5 x 4	300
EESMB19650	22 x 15.6 x 4.7	300
EESMB19500	22.5 x 17.2 x 4.3	300



Deeper Paper Lunch Box

The box has a wider bottom to put a bigger amount of food inside of it.

Item No.	Product Size(cm)	Carton Size (cm)
EESMB18920	15.7 x 13 x 8	300
EESMB18750	20 x 14.7 x 9	300
EESMB18650	20.7 x 12.2 x 4	300





Paper Tray

The material used for food meets food safety standards and can be placed directly on the food.



EESMB22001
19.2 x 13.6 x 3
300 pcs / ctn



EESMB22002
22.6 x 17.3 x 4.5 cm
300 pcs / ctn

Polygonal lunch box

Built-in coating, waterproof and oil-proof, and there are many styles to choose from.



EESMB22003
17.7 x 11.6 x 4.2
300 pcs / ctn



EESMB22004
Φ 14cm
300 pcs / ctn



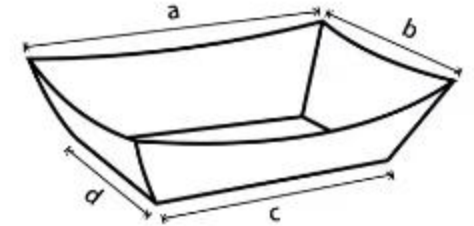
EESMB22005
10 x 6 / 10 x 13.2cm
300 pcs / ctn

Paper Boat Tray

A high-resistant material that can be used in the microwave without any problem.

Product Sizes

Paper lunch box sizes are divided between the upper and lower parts of the product. We hope the three-dimensional pictures on the right can help you better understand our products.



Item No.	Top Size(cm)	Bottom Size(cm)	Pack (pcs/ctn)	Carton Size (cm)
EEBT10503	10.5 x 7.5	7.5 x 4.4	900	23 x 22 x 33
EEBT10504	13.5 x 10.3	8.5 x 5	600	33 x 27 x 28
EEBT10505	19.5 x 13.5	13.5 x 8.5	600	42 x 31 x 39
EEBT10506	20.7 x 15	13.8 x 8.4	600	42 x 31 x 39
EEBT10507	22.2 x 14	17 x 9.2	300	25 x 33 x 40
EEBT10508	21.9 x 17.5	17.5 x 9.2	300	25 x 36 x 39





Corrugated Fruit Bowl

Multi-permeable design, breathable bottom, ventilation and moisture-proof, and enhanced load-bearing capacity. Thickened anti-pressure corrugated material, stable and not easy to distort.

Item No.	Product Size(cm)	Pack (pcs/ctn)	Carton Size (cm)
EEFFT10497	11.5 x 11.5 x 2	500	59 x 29.5 x 29.5
EEFFT10498	14 x 11.5 x 2	500	59 x 34 x 28
EEFFT10499	16.5 x 11.5 x 2	500	59 x 39 x 28
EEFFT10500	19 x 11.5 x 2	500	59 x 44 x 28
EEFFT10501	19 x 16.5 x 2	500	59 x 44.5 x 39.5
EEFFT10502	16.5 x 12 x 2.5	400	40 x 29 x 52
EEFFT10503	19 x 12.6 x 10.3	300	58.5 x 29 x 75.5



Corrugated Food Tray

Thickened high-quality corrugated material is very sturdy and durable.

Item No.	Product Size(cm)	Pack (pcs/ctn)	Carton Size (cm)
EEFFT11118	13.1 x 9.1 x 5	500	71 x 37 x 37
EEFFT11119	17.8 x 17.8 x 4.5	240	45 x 45 x 44
EEFFT11120	18 x 13.4 x 4.5	240	45 x 36 x 40
EEFFT11121	15.2 x 22.8 x 4.5	240	54 x 40 x 41
EEFFT11122	25.5 x 17.9 x 5.8	100	47 x 31 x 47
EEFFT11123	19 x 7 x 5	300	45 x 33 x 50
EEFFT11112	7 x 4.5 x 9	500	48 x 44 x 44



Product Sizes

Corrugated fruit tray size data is as seen in the picture on the right. We hope the three-dimensional pictures on the right can help you understand our products better.



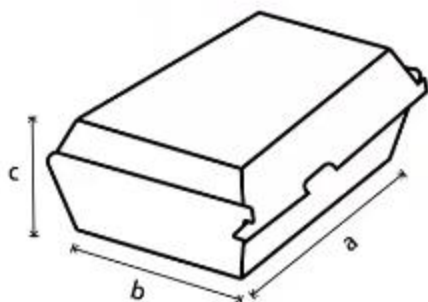
Corrugated Food Box

Corrugated lunch box is not only beautiful and fashionable, but also hard, heat preservation and pressure resistance, which can solve the problems of crushing the lunch box and cooling the food too fast during the delivery of take-away food.



Product Sizes

Corrugated meal box dimensions are calculated for the length, width and height of the box. We hope the three-dimensional diagram on the right can help you better understand our products.



Item No.	Product Size(cm)	Pack (pcs/ctn)	Carton Size (cm)
EEFFT10470	10.5 x 10.2 x 8.5	250	73 x 27 x 39
EEFFT11114	11.1 x 11.1 x 11.1	150	50 x 44 x 39
EEFFT10477	17.5 x 9 x 8.4	200	44 x 24 x 74
EEFFT10471	17.8 x 16 x 8	150	40 x 24 x 80
EEFFT16347	16.3 x 16.3 x 4.7	250	60 x 39.5 x 40.5
EEFFT11103	20.5 x 10.7 x 7.7	200	51 x 28 x 60
EEFFT11116	20.8 x 7 x 7.5	200	50 x 43 x 34
EEFFT10475	29 x 17 x 8.5	100	43 x 34 x 67



Corrugated Pizza Box

Item No.	Product Size(cm)	Pack (pcs/ctn)	Carton Size (cm)
EEP202045	20 x 20 x 4.5	100	30 x 24 x 60
EEP242445	24 x 24 x 4.5	100	34 x 24 x 68
EEP272745	27 x 27 x 4.5	100	37 x 24 x 74
EEP323245	32 x 32 x 4.5	100	42 x 24 x 84



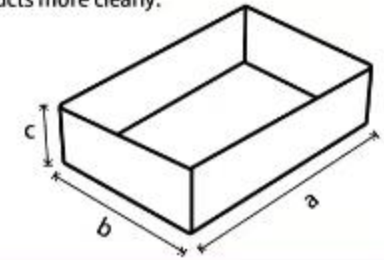
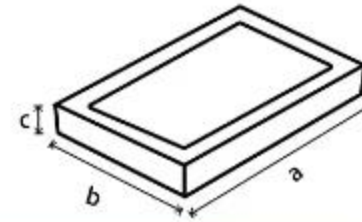


Corrugated Catering Box

Transparent window design, you can easily observe the food inside, which will be more beautiful and larger. It has transparent window design to easily observe the inside of the box, this new version is a larger and more attractive model.

Product Sizes

The dessert box is divided between the top lid and the box body, we hope the three-dimensional pictures below can help you to understand our products more clearly.



Item No.	Product Size(cm)	Pack (pcs/ctn)	Carton Size (cm)
EEDBL11280	25.8 x 15.5 x 3	100	29 x 18 x 24
EEDBL11277	22.9 x 22.8 x 3	100	26 x 25 x 24
EEDBL11275	36.4 x 25.5 x 3	100	39 x 28 x 29
EEDBL11273	56.4 x 25.5 x 3	50	59 x 28 x 13
EEDBL11278	45.5 x 31.3 x 3	50	48 x 39 x 13

Item No.	Product Size(cm)	Pack (pcs/ctn)	Carton Size (cm)
EEDBB11297	25.5 x 15.3 x 8	100	51 x 34 x 15
EEDBB11276	22.5 x 22.5 x 6	100	50 x 36 x 15
EEDBB11274	35.9 x 25.2 x 8	100	61 x 54 x 15
EEDBB11272	55.8 x 25.2 x 8	50	74 x 61 x 8
EEDBB11296	45 x 31 x 8	50	66 x 63 x 9



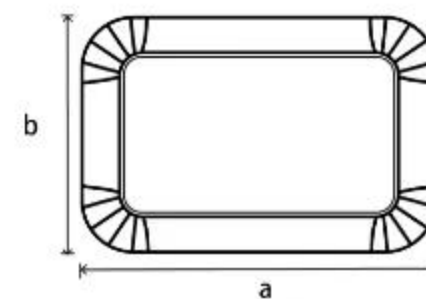


Rectangular Paper Plate

Food grade materials, water proof and oil proof, easy to fill the food.

Product Sizes

The rectangular paper tray is composed by the length and width indicated on the right picture.



Item No.	Product Size(cm)	Pack (pcs/ctn)	Item No.	Product Size(cm)	Pack (pcs/ctn)
FXP-22001	14 x 21	500	EE520062	34 x 45	150
FXP-22002	18 x 24	500	EE520061	30 x 39.5	200
FXP-22003	22 x 28	500	EE520060	23.5 x 33.5	500
FXP-22004	25 x 34	250			
FXP-22005	10 x 36	500			
FXP-22006	31 x 38	150			
FXP-22007	34 x 42	150			
FXP-22008	44 x 13.5	250			
FXP-22009	50 x 40	100			





Golden Rectangular Paper Plate

Hot stamping process, fashionable and beautiful, glossy color durable, bright and harmless



Golden Rectangular Paper Plate

Item No.	Product Size(cm)	Pack (pcs/ctn)
FXP-22001	14 x 21	200
FXP-22002	18 x 24	200
FXP-22003	22 x 28	200
FXP-22004	25 x 34	200
FXP-22005	10 x 36	200

Round Paper Plate

Various sizes are available. The plate is smooth and burr free, comfortable to touch, water-proof and oil-proof.



Oval Plate

Special oval design, ideal for serving meat and fish



EEPP520063
 Ø 34 cm
 500 pcs / ctn
 36 x 36 x 26 cm

Oval Plate

Item No.	Product Size(cm)	Pack (pcs/ctn)
FXP-22001	14 x 21	200
FXP-22002	18 x 24	200
FXP-22003	22 x 28	200



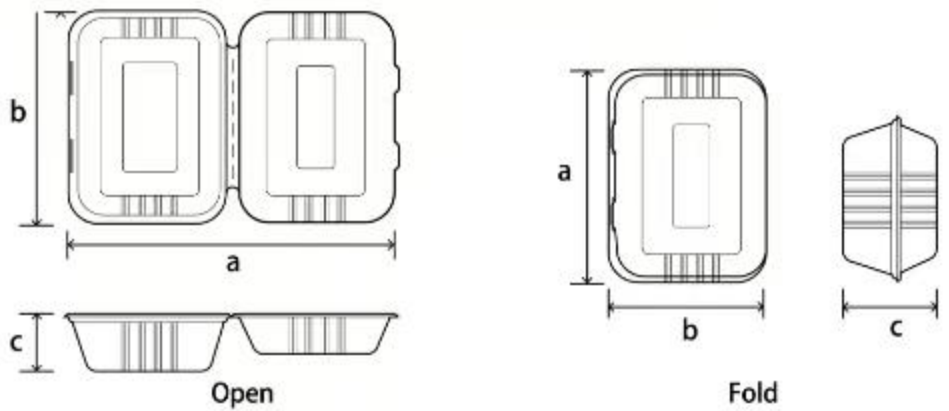
Item No.	Product Size(cm)	Pack (pcs/ctn)	Item No.	Product Size(cm)	Pack (pcs/ctn)
YXP-22001	Ø16	500	EE520007	Ø15	500
YXP-22002	Ø21	500	EES521003	Ø18.7	300
YXP-22003	Ø25	500	EE520004-1	Ø23.5	300
YXP-22004	Ø23	500	EES521004	Ø25.8	500
YXP-22005	Ø30	250	Item No.	Product Size(cm)	Pack (pcs/ctn)
YXP-22006	Ø35	250	EE520002	Ø18	500
YXP-22007	Ø38	250	EE520004	Ø23	500

Sugarcane Clamshell

You can put food in sugarcane pulp lunch boxes safely, they are biodegradable and more sustainable, can withstand 100 degrees hot water and 95 degrees hot oil, can hold burgers, lunch boxes, cakes and other foods.

Product Sizes

The size of the sugarcane pulp lunch box is divided into open and closed conditions. I hope the following pictures can help you better understand our products.



Hamburger Box

Natural food grade material, green and healthy, degradable in about 90 days. High temperature and low temperature resistance, can be placed in microwave ovens and refrigerators. Waterproof and oil-proof, not easy to deform, the product can withstand 100-degree hot water or 95-degree hot oil.



Item No.	Capacity	Open (cm)	Closed (cm)	Weight	Pack (pcs/ctn)	Carton Size (cm)	
SC-01	EE-P-HB06	450 ml	30.5 x 15.2 x 4.5	15.2 x 15.2 x 7.6	21 g	500	46.5 x 32.5 x 32.3
SC-02	EE-T-HB06	480 ml	31.8 x 15.5 x 4.9	15.5 x 15.5 x 7.7	23 g	500	56 x 33 x 33.5



Shown: Hamburger Box white EE-P-HB06

Single Compartment Sugarcane Clamshell

Natural food-grade materials are selected, and the product is biodegradable. Waterproof and oilproof, can be heated and used in microwave oven. The product is thickened, not easy to be crushed.

Item No.	Capacity	Open(cm)	Closed(cm)	Weight	Pack (pcs/ctn)	Carton Size (cm)	
SC-03	EE-B006	450 ml	24.7 x 17.4 x 3.8	17.3 x 12.4 x 5.3	15 g	600	61.5 x 27 x 37.5
SC-04	EE-B004	600 ml	27.5 x 18.2 x 4.5	18.2 x 13.6 x 6.8	20 g	600	64 x 29.5 x 39
SC-05	EE-0188	700 ml	31.7 x 22 x 4.3	22 x 14 x 7.5	36 g	200	42.5 x 34 x 25
SC-06	EE-A-SH89	850 ml	30.9 x 22.8 x 5.2	22.8 x 15.2 x 7.6	28 g	200	38 x 33 x 25.5
SC-06	EE-A-SH08	900 ml	40.7 x 20.3 x 4.34	20.3 x 20.3 x 6.3	31 g	200	43 x 36.5 x 23
SC-07	EE-P-SH89	900 ml	31.2 x 22.8 x 4.65	22.8 x 15.3 x 8	30 g	250	46 x 32.5 x 25.5
SC-07	EE-P-SH08	1200 ml	43.7 x 20.3 x 4.7	22 x 20.3 x 7.6	37 g	200	43 x 37.5 x 23
SC-07	EE -P-SH09	1500 ml	46.3 x 22.8 x 4.75	22.8 x 22.8 x 7.6	42 g	200	47.5 x 38 x 25.5



SC-03



SC-04



SC-05



SC-06



SC-07

Hamburger Box

2-3 Compartment Sugarcane Clamshell



Natural food grade material, green and healthy, degradable in about 90 days. It can be heated in the microwave or refrigerated in the refrigerator for freshness, which is more convenient to use.



SC-08



SC-09

Item No.	Capacity	Open State	Closed State	Weight	Pack (pcs/ctn)	Carton Size (cm)	
SC-08	EE-P-SH89	900 ml	31.2 x 22.8 x 4.65	22.8 x 15.3 x 8	30 g	250	46 x 32.5 x 25.5
SC-09	EE-P-SH08-3	1200 ml	43.7 x 20.3 x 4.7	22 x 20.3 x 7.6	37 g	200	43 x 37.5 x 23
SC-09	EE-P-SH09-3	1500 ml	46.3 x 22.8 x 4.75	22.8 x 22.8 x 7.7	42 g	200	48 x 38 x 25.5

Sugarcane Plate

Made of natural raw materials, naturally biodegradable.
The material is thickened, oil-proof and waterproof, suitable for various types of food.



Round Plate

EE-YP06
15.5 x 1.5 cm
6"

EE-YP07
17.6 x 1.6 cm
7"

EE-YP08
20.3 x 2 cm
8"

EE-YP09
22.5 x 2 cm
9"

EE-YP10
25.4 x 2 cm
10"

SP-01: Various specifications, different sizes, suitable for different types of food.



2-Compartment Round Plate

EE-YP09-2
Φ22.5 x 2 cm
9"

SP-02: The compartment design is used to prevent the soup from mixing and preserve the original flavor of the food.



3-Compartment Round Plate

EE-YP09-1
22.5 x 2 cm
9"

EE-YP10-1
25.4 x 2 cm
10"

SP-03: The food can be placed in separate grids to prevent food odors from passing through.



Oval Plate

EE-TY02
25.3 x 19.2 x 2.5 cm
10" x 7.5" x 1"

EE-TY03
31.7 x 25.2 x 2.5 cm
12.5" x 10" x 1"

SP-04: Better for meat and fish.

Square Plate

Derived from natural materials, it can be degraded in 90 days.
Thick and durable, it is temperature resistant and can be used in the freezer or microwave.



SP-05



SP-06



SP-07

Item No.	Product Size(cm)	Product Size	Weight	Pack (pcs/ctn)	Carton Size (cm)	
SP-05	EE-110FP	11 x 11 x 1.6	/	9 g	800	36 x 26 x 25.2
SP-06	EE-210FP	21 x 21 x 1.5	8.3" x 8.3" x 0.7"	15 g	500	43.5 x 33.5 x 23.5
SP-06	EE-261FP	26.1 x 26.1 x 2	10.3" x 10.3" x 0.8"	26 g	500	54 x 30 x 29
SP-07	EE-FP06	16 x 16 x 1.6	6" x 6" x 0.6"	12 g	500	35.5 x 31 x 19.5
SP-07	EE-FP08	20 x 20 x 1.6	8" x 8" x 0.6"	18 g	500	43.5 x 33.5 x 23.5
SP-07	EE-FP10	26 x 26 x 2	10" x 10" x 0.8"	28 g	500	54 x 30 x 29




Shown: Sugarcane Square Plate white EE-FP06

Sugarcane Tray

Derived from natural materials, it can be degraded in 90 days.



 Can be refrigerated

Sugarcane Tray

Thick and durable, it is heat-resistant and can be used in the freezer or microwave.



Item No.	Product Name	Product Size(cm)	Weight	Pack (pcs/ctn)	Carton Size (cm)
ST-01 EE-XTP217	Small Tray	21.7 x 18.5 x 2.7	22 g	600	45 x 35 x 39
ST-01 EE-ZTP217	Medium Tray	21.7 x 18.5 x 4.5	24 g	500	45 x 36 x 39.5
ST-01 EE-DTP217	Big Tray	21.7 x 18.5 x 6.4	30 g	500	45 x 38.5 x 39.5
ST-01 EE-DTP217-2	2-Compartment Big Tray	21.7 x 18.5 x 6.4	34 g	500	45 x 42 x 39.5
ST-01 EE-217TPG	Tray lid	22.3 x 19 x 1	20 g	500	47 x 36 x 40.5

Rectangular Plate



ST-02

EE-BL01
7.3" x 5.3" x 0.9"
18.5 x 13.5 x 2.3 cm
1000 pcs / ctn
75 x 20 x 29.5 cm

Compartment Tray

The compartmental design of the tray can better classify various foods, prevent food odors, maintain the original flavor of food, and facilitate packing.



Item No.	Product Name	Product Size(cm)	Weight	Pack (pcs/ctn)	Carton Size (cm)	
ST-05	EE-3GFP	3-Compartment Tray	23.2 x 19.8 x 3.91	30 g	200	42 x 38 x 26
ST-05	EE-4GFP	4-Compartment Tray	23.2 x 19.8 x 4.06	31 g	200	43 x 40 x 26
ST-05	EE-FPL	Lid for FTH-03 and FTH-04	24.1 x 20.7 x 1.26	21 g	200	44.5 x 38.5 x 27.5



Item No.	Product Name	Product Size(cm)	Weight	Pack (pcs/ctn)	Carton Size (cm)	
ST-06	EE-B-4GH01	4 Compartment Tray 4GH01	24 x 22 x 42	48 g	200	51 x 32.5 x 24.5
ST-06	EE-B-4GH02	4 Compartment Tray 4GH02	24 x 22 x 42	50 g	200	51 x 35.5 x 25
ST-06	EE-B-4GHG	Lid for LZ-B-4GH02	24.8 x 22.8 x 11.5	22 g	200	30 x 26.5 x 25.5



Item No.	Product Name	Product Size(cm)	Weight	Pack (pcs/ctn)	Carton Size (cm)	
ST-07	EE-4GP	4-Compartment Tray	27.8 x 21.3 x 3.1	35 g	300	57.5 x 29.5 x 24.5
ST-07	EE-4GPL	4-Compartment Tray Lid	28.2 x 21.8 x 8	25 g	300	36.5 x 30.5 x 46
ST-08	EE-DL1180	4-Compartment Clamshell	18.9 x 24.6 x 5	48 g	200	46 x 44.5 x 27.5

Sugarcane Box

The lunch box can be equipped with a corresponding cover, which is firmly sealed, not easy to leak, and more convenient to take away.



EE-FHLB



EE-FHL

Item No.	Capacity	Product Size(cm)	Weight	Pack (pcs/ctn)	Carton Size (cm)
SB-01 EE-FH05	500 ml	18 x 12.8 x 3.8	15 g	500	49 x 37.5 x 28
SB-01 EE-FH06	650 ml	18 x 12.8 x 4.5	16 g	500	54.5 x 49.5 x 21
SB-01 EE-FH08	800 ml	18 x 12.8 x 5.7	20 g	500	51 x 37.5 x 28
SB-01 EE-FH10	1000 ml	18 x 12.8 x 7.2	21 g	500	54.5 x 54 x 21
SB-01 EE-FHLB	/	18.8 x 13.7 x 1.4	11 g	300	49 x 28.5 x 21.5
SB-01 EE-FHL	/	19 x 13.8 x 1.5	13 g	500	42 x 39.5 x 30.5



EE-ZFHLB



EE-ZFHL

Item No.	Capacity	Product Size(cm)	Weight	Pack (pcs/ctn)	Carton Size (cm)
SB-02 EE-ZFH05	500 ml	17.6 x 12.14 x 3.48	13 g	500	48.5 x 38 x 27.5
SB-02 EE-ZFH06	650 ml	17.6 x 12.14 x 4.33	14 g	500	48.5 x 38 x 27
SB-02 EE-ZFH07	750 ml	17.6 x 12.14 x 5.08	16 g	500	51.5 x 38 x 27
SB-02 EE-ZFH10	1000 ml	17.6 x 12.14 x 5.98	17 g	500	42.5 x 40 x 29
SB-02 EE-ZFHLB	/	18.5 x 13 x 1.2	11 g	300	42.5 x 42 x 21.5
SB-02 EE-ZFHL	/	18.48 x 13.02 x 1.06	11 g	500	42.5 x 38 x 27



Item No.	Capacity	Product Size(cm)	Weight	Pack (pcs/ctn)	Carton Size (cm)
SB-03 EE-B-790FH	800 ml	21.6 x 15.3 x 4.7	20 g	400	45.5 x 44.5 x 33
SB-03 EE-B-790FHG	/	22.15 x 15.85 x 1	17 g	400	46 x 36 x 34.5



LZ-165FHG

Item No.	Capacity	Product Size(cm)	Weight	Pack (pcs/ctn)	Carton Size (cm)
SB-04 EE-165SFH	700 ml	16.5 x 16.5 x 6.3	21 g	600	48.5 x 35 x 36
SB-04 EE-165QFH	500 ml	16.5 x 16.5 x 5.2	19 g	600	37.5 x 35 x 36
SB-04 EE-165FHG	/	17 x 17 x 1.1	14 g	900	57 x 36 x 54



Shown: Sugarcane Pulp Box Natural EE-B-790FH

Sugarcane Bowl



SB-01

EE-TW12	360 ml	12 oz	16 x 3.8
EE-TW16	480 ml	16 oz	17.8 x 4
EE-TW32	950 ml	32 oz	20.8 x 6.1



SB-02



SB-03

Item No.	Capacity	Product Size(cm)	Weight	Pack (pcs/ctn)	Carton Size (cm)
SB-02 EE-350W	350 ml	13.5 x 4.8	10 g	600	46 x 28.5 x 29.5
SB-02 EE-350WG	/	13.9 x 1.5	8 g	600	66 x 45.5 x 18.5
SB-02 EE-500W	500 ml	14.95 x 5.6	12 g	600	45 x 32.5 x 32.5
SB-02 EE-500WG	/	15.25 x 1.75	10 g	600	54 x 33.5 x 33.5
SB-03 EE-350WZ	350 ml	12.85 x 4.8	10 g	600	46.5 x 28 x 28.5
SB-03 EE-350WGZ	/	13.3 x 1.3	8 g	600	46 x 29 x 29.5
SB-03 EE-500WZ	500 ml	15.5 x 5.8	12 g	600	48 x 32.5 x 33.5
SB-03 EE-500WGZ	/	15.9 x 1.6	10 g	600	42.5 x 39 x 34.5

Sugarcane Bowl

Item No.	Capacity	Product Size(cm)	Weight	Pack (pcs/ctn)	Carton Size (cm)
SB-04 EE-750W	750 ml	16.8 x 6.07	17 g	500	44.5 x 37.5 x 38
SB-04 EE-1000W	1000 ml	16.8 x 7.57	22 g	500	51.5 x 37.5 x 38
SB-04 EE-1000WG	/	18.2 x 1.2	14 g	500	39 x 37.5 x 39.5
SB-05 EE-1500W	1500 ml	19.36 x 7.57	28 g	400	45.5 x 41.5 x 41.5
SB-05 EE-1500WG	/	19.86 x 1.17	18 g	400	44.5 x 42.5 x 42.5



SB-04



SB-05

Straight Bowl

Item No.	Capacity	Product Size(cm)	Weight	Pack (pcs/ctn)	Carton Size (cm)
SB-06 EE-TW500	500 ml	13.5 x 5.8	11 g	300	40 x 40 x 17
SB-06 EE-TW700	700 ml	13.5 x 7.5	14 g	300	43 x 40 x 16
SB-06 EE-TWG700	/	14.2 x 1.06	7 g	300	45.5 x 37.5 x 17
SB-06 EE-TW850	850 ml	16 x 6.66	18 g	300	50.5 x 41 x 18.5
SB-06 EE-TW1000	1000 ml	16 x 8.2	22 g	300	50.5 x 44.5 x 19
SB-06 EE-TWG1000	/	16.7 x 1.06	10 g	300	52.5 x 36.5 x 19.5



SB-06

Big Bowl

Item No.	Capacity	Product Size(cm)	Weight	Pack (pcs/ctn)	Carton Size (cm)
SB-07 EE-CW-1500	1500 ml	25.2 x 4.51	32 g	200	53 x 40.5 x 28
SB-07 EE-CW-2000	2000 ml	25.2 x 5.70	36 g	200	52.5 x 42 x 28
SB-07 EE-CW-1500/2000G	/	25.95 x 1.06	23 g	200	54 x 37.5 x 28.5
SB-07 EE-CW-2500	2500 ml	28.5 x 5.41	45 g	200	59 x 42 x 31
SB-07 EE-CW-3000	3000 ml	28.5 x 6.41	48 g	200	59 x 43.5 x 31
SB-07 EE-CW-3500	3500 ml	28.5 x 7.51	50 g	200	59 x 44 x 31
SB-07 EE-CW-2500/3000/3500G	/	29.25 x 1.06	28 g	200	60.5 x 39.5 x 32



SB-07

Diamond Bowl

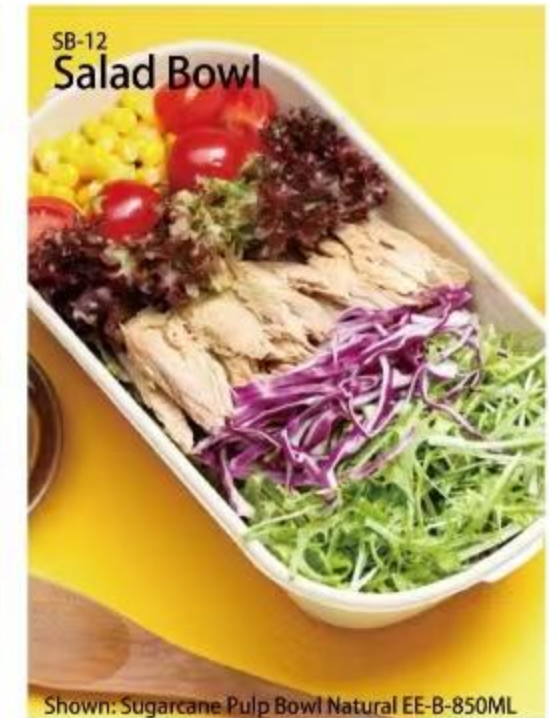


SB-09



SB-10

Item No.	Capacity	Product Size(cm)	Weight	Pack (pcs/ctn)	Carton Size (cm)
SB-09 EE-LXW500	500 ml	16 x 4.36	14 g	300	51.5 x 35 x 19.5
SB-09 EE-LXW700	700 ml	16 x 5.56	17 g	300	58 x 35 x 19.5
SB-09 EE-LXW850	850 ml	16 x 6.96	20 g	300	52 x 52 x 19.5
SB-09 EE-LXW1000	1000 ml	16 x 7.76	23 g	300	54.5 x 52 x 19.5
SB-09 EE-LXWG	/	16.65 x 1.32	32 g	300	54.5 x 41 x 20
SB-10 EE-LXCW-1500	1500 ml	25.2 x 5.06	32 g	200	52.5 x 42.5 x 28
SB-10 EE-LXCW-2000ml	2000 ml	25.2 x 6.26	35 g	200	52.5 x 46 x 28
SB-10 EE-LXCWG-1(1500/2000ml)		25.2 x 1.32	23 g	200	54 x 38.5 x 28.5
SB-10 EE-LXCW-2500ml	2500 ml	25.8 x 5.96	44 g	200	59.5 x 43 x 31
SB-10 EE-LXCW-3000ml	3000 ml	28.5 x 7.06	48 g	200	59.5 x 44.5 x 31
SB-10 EE-LXCW-3500ml	3500 ml	28.5 x 5.96	50 g	200	59.5 x 50.5 x 31
SB-10 EE-LXCWG-2(2500/3000/3500ml)		29.15 x 1.32	29 g	200	61 x 37 x 32



Item No.	Capacity	Product Size(cm)	Weight	Pack (pcs/ctn)	Carton Size (cm)
SB-11 EEBTYW02	600 ml	24 x 15.5 x 5.5	21g	600	60 x 51 x 34.5
SB-12 EEB-850ML	700 ml	23.3 x 13.2 x 4.5	20 g	400	46 x 25.5 x 29.5
SB-13 EEB-SB01-2	900 ml	23.3 x 13.2 x 6	25 g	400	50.5 x 34 x 29.5

Sugarcane Cutlery

Thicker material and wildly use.
Degradable.

Spoon
14.17 x 3.5/1.5 x 1.9 cm
4 g
30.5 x 19 x 27 cm
1000 pcs / ctn

knife
16.5 x 2.7 x 5 cm
3.5 g
34.5 x 16 x 22 cm
1000 pcs / ctn

Fork
16.22 x 3.33 x 1.1 cm
3.5 g
34.5 x 19 x 25 cm
1000 pcs / ctn

Sugarcane Sauce Cup

Derived from natural materials, it can be degraded in 90 days.
Thick and durable, it is temperature resistant and can be used in the freezer or microwave.



Item No.	Capacity	Product Name	Product Size(cm)	Weight	Pack (pcs/ctn)	Carton Size (cm)
SSC-01	1 oz	1 OZ CUP	6.2 x 1.7	2 g	2000	33 x 33 x 27.5
SSC-02	2 oz	2 OZ CUP	6.2 x 3	2.5 g	2000	33 x 32.5 x 26
SSC-02	/	PET lid	6.5 x 0.8	1.5 g	2000	45 x 35 x 30
SSC-02	/	2 OZ CUP LID	6.95 x 0.75	1.5 g	2000	36 x 32.5 x 29
SSC-03	4 oz	4 OZ CUP	7.5 x 4.8	4.5 g	2000	39 x 35 x 32
SSC-03	/	PET lid	7.8 x 0.75	2 g	2000	45 x 31 x 40
SSC-03	/	4 OZ CUP LID	8.1 x 0.8	3 g	2000	42 x 35 x 33



Shown: Sugarcane Sauce Cup white 1 / 2 / 4oz

Sugarcane Sauce Plate

Derived from natural materials, it can be degraded in 90 days.
Thick and durable, it is temperature resistant and can be used in the freezer or microwave.



New

Leaf Shape
9 x 5.97 x 1.2 cm
3.5 g
3000 pcs/ ctn
37 x 28 x 33 cm



Egg Shape
7.97 x 4.8 x 1.15/2.7 cm
3.5 g
3000 pcs/ ctn
42.5 x 33.5 x 23.5 cm



New

Square Shape
6.5 x 6.5 x 1.2 cm
3.5 g
3000 pcs/ ctn
35.5 x 27 x 28 cm



Spoon Shape
10.15 x 5.06 x 2.9/0.46 cm
3.5 g
3000 pcs/ ctn
49.5 x 30.5 x 22 cm



Lemon Shape
11 x 5.2 x 3 cm
3.5 g
3000 pcs/ ctn
40 x 38 x 26 cm



New
Little Spoon Shape
12.45 x 2.75 x 2.65/0.66 cm
3.5 g
3000 pcs/ ctn
48 x 24 x 21 cm



Deep Pan
9.2 x 5.6 x 3/0.2 cm
3.5 g
3000 pcs/ ctn
40 x 35 x 34 cm



New
Shallow Pan
9.16 x 5.6 x 1.5/0.2 cm
3.5 g
3000 pcs/ ctn
40 x 35 x 34 cm



Customized Paper Plate



Vertical

Item No.	Product Size(cm)	Pack (pcs/ctn)	Item No.	Product Size(cm)	Pack (pcs/ctn)
 EEP5521005	Φ22.4	500	 EEP5522002	24 x 20.5	500
 EEP5521006	18.6 x 18.6	500	 EEP5522003	25 x 22.5	500
 EEP5521007	20.3 x 18.6	500	 EEP5522004	23 x 22.3	500
 EEP5521009	26 x 20	500	 EEP5522005	28 x 23	500
 EEP5522001	25 x 15	500			



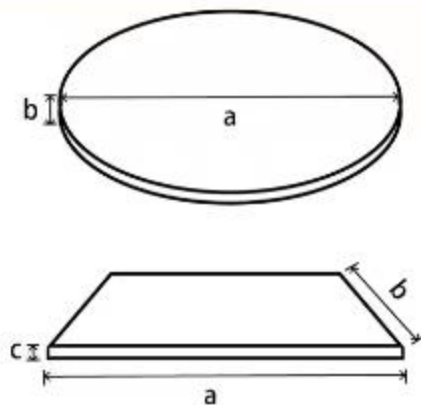
Cake Board

A variety of size options to accommodate a variety of cakes and desserts, etc. Reasonable height design to highlight the beauty of the cake



Product Sizes

Cake board size depends on diameter of the product, or the length and width of the product. The picture on the right can help you to know better about our product.



Round Cake Board - Grey Board

food grade thickened cardboard material, rounded edges, high hardness and not easy to bend.

Item No.	Height Size(cm)	Product Size(inch)	Pack (pcs/ctn)	Carton Size (cm)
EECB2000072	0.26	7"	100	22 x 22 x 31
EECB2000073	0.26	8"	100	25 x 25 x 31
EECB2000074	0.2	9"	100	26.4 x 26.4 x 34.5
EECB2000075	0.2	10"	100	30 x 30 x 31
EECB2000076	0.2	11"	100	31.5 x 31.5 x 34



Round Cake Board - MDF

exquisite texture design, beautiful and generous, and the cake is not easy to slip.

Item No.	Height Size(cm)	Product Size(inch)	Pack (pcs/ctn)	Carton Size (cm)
EECB2000080	0.3	8"	100	34 x 34 x 34
EECB2000081	0.3	9"	50	36.6 x 36.6 x 17
EECB2000082	0.3	10"	50	41.6 x 41.6 x 23
EECB2000083	0.3	11"	100	22 x 32 x 31
EECB2000084	0.3	12"	100	22 x 42 x 31
EECB2000085	0.3	13"	100	27 x 31 x 31
EECB2000086	0.3	14"	100	32 x 32 x 31
EECB2000087	0.4	16"	100	37 x 37 x 31



Rectangle Cake Board - MDF

The square design is better to hold and place, making it easier to fill the cake.

Item No.	Height Size(cm)	Product Size(cm)	Pack (pcs/ctn)	Carton Size (cm)
EE-SP321010	0.3	20 x 30	25	62 x 42 x 12.5
EE-SP321011	0.3	20 x 40	100	26.5 x 36.5 x 34
EE-SP321012	0.3	25 x 35	100	20 x 20 x 31
EE-SP321013	0.3	30 x 30	100	22 x 22 x 31
EE-SP321014	0.3	35 x 35	100	25 x 25 x 31
EE-SP321015	0.4	60 x 40	50	27 x 27 x 31
EE-SP321016	0.3	30 x 40	50	30 x 30 x 31



Corrugated Round Cake Board

Thickened bottom cushion Waterproof and oil-proof, stronger weight-bearing capacity.

Item No.	Height Size(cm)	Product Size(inch)	Pack (pcs/ctn)	Carton Size (cm)
EECB2000100	0.6	7"	50	19.78 x 19.78 x 32
EECB2000101	0.6	8"	50	22.32 x 22.32 x 32
EECB2000102	0.6	9"	50	24.86 x 24.86 x 32
EECB2000103	0.6	10"	50	27.4 x 27.4 x 32
EECB2000104	0.6	11"	50	29.94 x 29.94 x 32
EECB2000105	0.6	12"	50	32.48 x 32.48 x 32
EECB2000106	0.6	14"	50	37.56 x 37.56 x 32
EECB2000107	0.6	15"	50	40.1 x 40.1 x 32
EECB2000108	0.6	16"	50	42.64 x 42.64 x 32
EECB2000109	0.6	18"	50	47.72 x 47.72 x 32



Corrugated Rectangle Cake Board

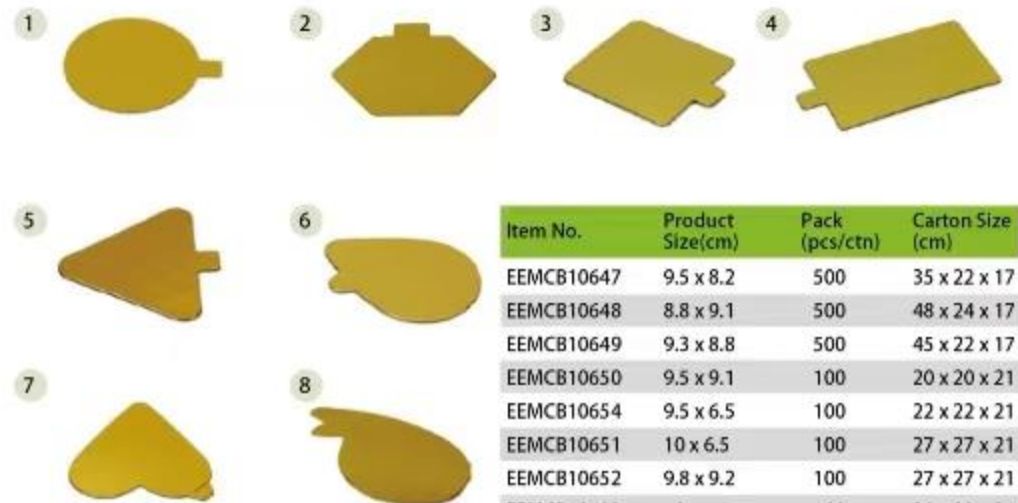
Waterproof and oil-proof, easy and easy to clean, can be used repeatedly.

Item No.	Height Size(cm)	Product Size(cm)	Pack (pcs/ctn)	Carton Size (cm)
EE-SP23321015	0.6	20 x 30	50	32 x 22 x 32
EE-SP23321016	0.6	30 x 30	50	32 x 32 x 32
EE-SP23321017	0.6	35 x 35	50	37 x 37 x 32
EE-SP23321018	0.6	30 x 40	25	42 x 32 x 62
EE-SP23321019	0.6	50 x 50	25	52 x 52 x 62



Mini Cake Board

A variety of well-designed bottom tray styles can meet the needs of different cake sizes.



Item No.	Product Size(cm)	Pack (pcs/ctn)	Carton Size (cm)
EEMCB10647	9.5 x 8.2	500	35 x 22 x 17
EEMCB10648	8.8 x 9.1	500	48 x 24 x 17
EEMCB10649	9.3 x 8.8	500	45 x 22 x 17
EEMCB10650	9.5 x 9.1	100	20 x 20 x 21
EEMCB10654	9.5 x 6.5	100	22 x 22 x 21
EEMCB10651	10 x 6.5	100	27 x 27 x 21
EEMCB10652	9.8 x 9.2	100	27 x 27 x 21
EEMCB10653	10.1 x 7	100	29 x 29 x 21

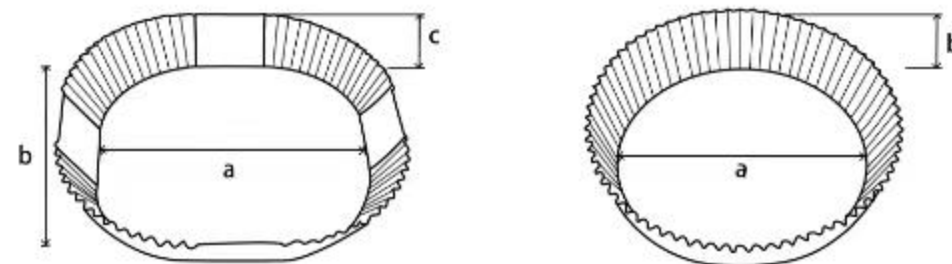


Air Fryer Paper Liners

The paper is water-proof and oil-proof, and it is easier to clean after using.

Product Sizes

The size of the air fryer paper is divided into bottom size and height and other data. I hope the three-dimensional picture below can help you better understand our products.



Item No.	Product Size(cm)	Pack (pcs/ctn)	Carton Size (pcs/ctn)
EEAFPL0016	16 x 16 x 4.5	6000	53 x 50 x 51
EEAFPL0020	20 x 20 x 4.5	4400	57 x 57 x 41
EEAFPL0023	23 x 23 x 4.5	3800	61 x 31.5 x 59
EEAFPL0221	21 x 14 x 4.5	6000	/
EEAFPL0222	22 x 14 x 4.5	3200	60 x 46 x 41



Item No.	Product Size(cm)	Pack (pcs/ctn)	Carton Size (cm)
EEAFPL0116	☒ 16 x 4.5	6000	47 x 47 x 59
EEAFPL0120	☒ 20 x 4.5	4600	54 x 54 x 46
EEAFPL0023	☒ 23 x 4.5	2400	61 x 61 x 32



PLA Knife Fork Spoon

Available Size
Fork: 150/170 mm
Knife: 157/180 mm
Spoon: 145/160 mm
3.5/4.5g



PLA Fork

140 mm
3.5 g



PLA Fork

130 mm
2.6 g



Ice Cream Scoop

105 mm
2 g

Bamboo Knife Fork Spoon

Fork: 170 mm
Knife: 170 mm mm
Spoon: 170 mm mm
3.5g



Wood Knife Fork Spoon

Available Size
Fork: 140 - 160 mm
Knife: 140 - 165 mm
Spoon: 75 - 210 mm
3.5/4.5g



Paper Knife Fork Spoon

Available Size
Fork: 158 - 220mm
Knife: 158 - 220mm
Spoon: 95 - 220mm
3.5/4.5g



Paper Straw With Flat End

Available Sizes
Diameter: 0.4 - 1.5 cm
Length: 4.5 - 160 cm
3 / 4 layers



Optional with a variety of styles and colors, can be customized at your request. Automatic production and cutting, the incision is smooth without burrs.

Paper Straw With Sharp End

Available Sizes
Diameter: 0.5 - 1.2 cm
Length: 6 - 24 cm
3 / 4 layers

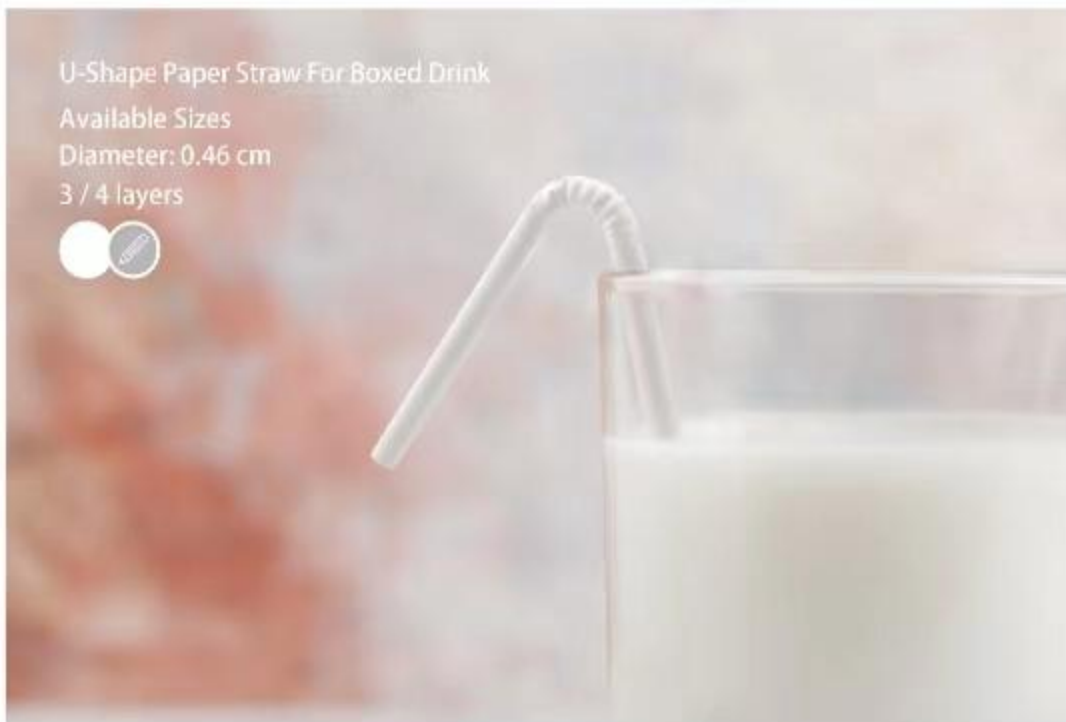


Bendable Paper Straw

Can be 360° rotated, the angle of the elbow can be adjusted flexibly. The strong quality guarantee the long soaking time on drinks. It's durable and perfect replacement of plastic one.



Available Sizes
Diameter: 0.6 cm / 0.8 cm
Length: 14 - 24 cm
3 / 4 layers



U-Shape Paper Straw For Boxed Drink
Available Sizes
Diameter: 0.46 cm
3 / 4 layers



Paper Straw With Scoop

Available Sizes
Diameter: 0.8 cm
Length: 18 - 28 cm
3 / 4 layers




Decoration Party Paper Straw



Paper Straw With Flat End
Paper Straw With Sharp End
Bendable Paper Straw
Paper Straw With Scoop



 Customized by various sizes and patterns

PHA / PLA Straw



Straw With Flat End
Straw With Sharp End



Design of Paper Straw

The printing of JiuRong paper straw is exquisite, suitable for various applications. There is always one suitable for you. A variety of designs can be customized.

No Printing



White PS01 Natural PS02



Shown: Bendable Paper Straw White PS01

Patterns



Stripe PS04 (52 models) Dot PS05 (45 models) Star PS06 (10 models) Flower PS07 (19 models)



Shown: Paper Straw With Flat End Hot Stamping PS09



Hot Stamping PS08 (13 models) Aluminum Foil PS09 (3 models) Other PS10 (78 models)

Solid Color



Red PS11 Green PS12 Yellow PS13 Black PS14



Shown: Paper Straw With Flat End Green PS12



Straw Packing

JiuRong paper straw can be unwrapped or individual paper or film wrapped. The wrapper can also be customized printed according to your requests.



Individual + Paper Wrapped



- Paper Straw With Flat End
- Paper Straw With Sharp End
- Bendable Paper Straw
- Paper Straw With Scoop

Available sizes for individual wrapped
 Diameter: 4 - 12 cm
 Length: 12 - 28 cm



Continuous Film Wrapped

U-Shape Paper Straw For Boxed Drink

Inner Packaging



We provide different types of package for your choices. For example, the inner paper boxed packing is eco-friendly and environmental. The inner clear bag bulk packing is cost-effective.




Plastics Box (PET/PVC)



Paper Box



OPP Bag

 Customized by various sizes and materials

CERTIFICATION

